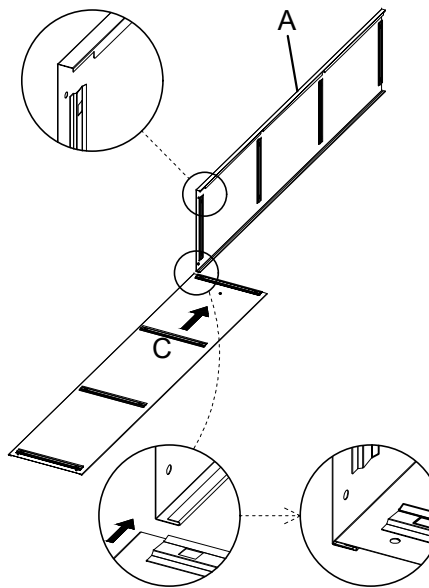
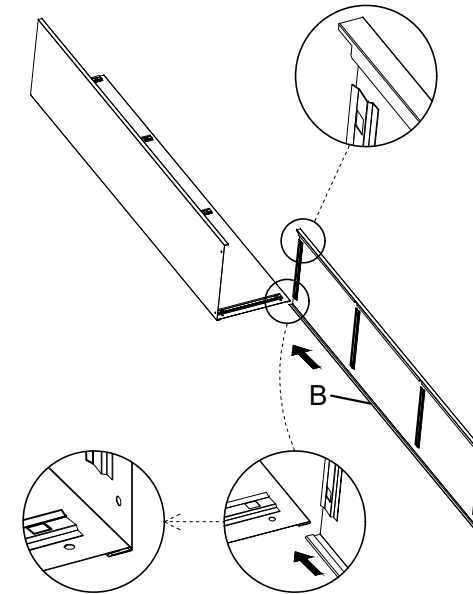


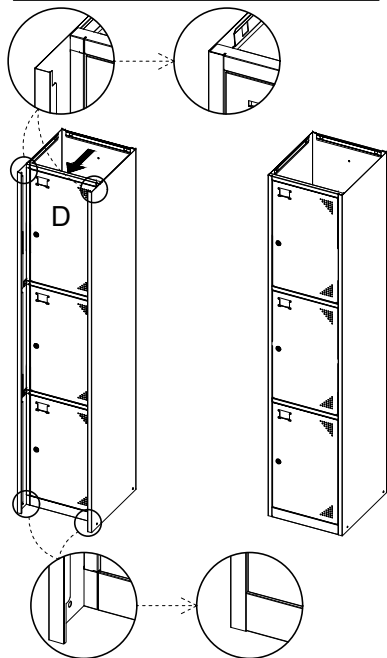
1 Slide side wall A into the channel of the back wall C, ensuring that the metal bars above are oriented in the same direction.



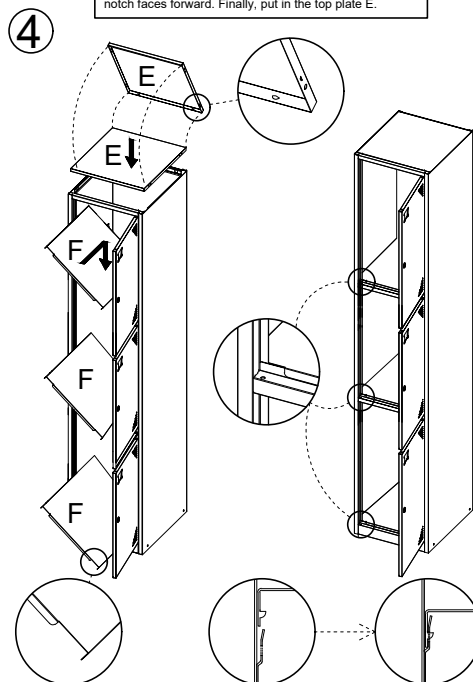
2 Slide side wall B into the channel of the back wall C, ensuring that the metal bars above are oriented in the same direction.



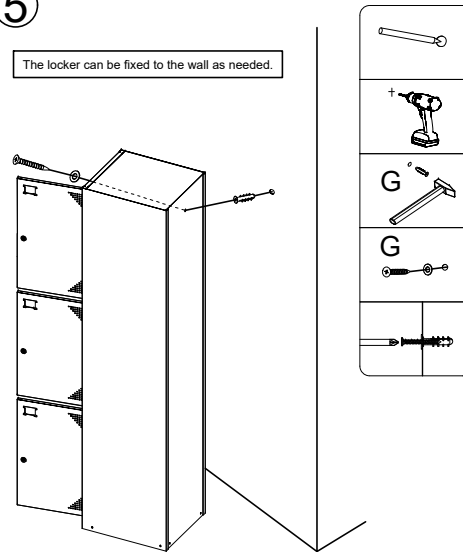
3 Snap the door panel from the inside outward into the channel of the side panels, which may require the key to open the doors, the keys are taped to the back of the door panel.



4 Put in the three shelves F, and note that the side with the notch faces forward. Finally, put in the top plate E.



5 The locker can be fixed to the wall as needed.



G×1

